

Fork Positioners

Models FR Compact



The model FR Compact represents the basic Bolzoni Auramo fork positioner, used in the most common applications.

The compact structure of the unit, based on a standard Bolzoni Auramo sideshift, guarantees extremely reduced weight, effective thickness and centre of gravity.

The compact design of the fork carriers, allowing the use of the standard forks, guarantees the original visibility of the lift truck. The excellent visibility of the unit is furtherly increased by

a wide central window in the basic Bolzoni Auramo sideshifter, very useful when loading and unloading vehicles.

The fork carriers, actuated by two hydraulic cylinders, slide on a chromed bar in order to ensure fast, smooth and accurate fork positioning.

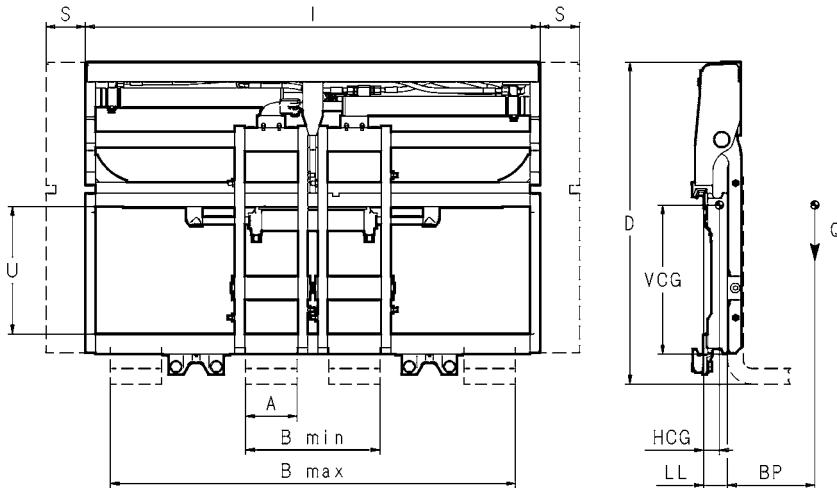
The unit is also available in non-sideshifting version, FK model, till capacity 6.500 Kg.



Fork Positioners with Fork Carriers

Models FR Compact (sideshifting)

Range: 4900 Kg - 6500 Kg



- Separate sideshift.
- Accurate fork positioning, operated on around chromed bar with bushings.
- With fork carriers.
- Standard forks of the truck can be used without modification.
- Fork carriers sliding on a chromed bar with bushings.
- Excellent visibility, strength and versatility.

Model	Capacity	Load Centre	Opening Range	Frame Width	Minimum Carriage Width	Height	Weight	Horizontal Centre of Gravity	Vertical Centre of Gravity	Effective Thickness	Support Width	Side Visibility	Mounting Class
	Q kg	BP mm	B mm	I mm	FL mm	D mm	W Kg	HCG mm	VCG mm	LL mm	A mm	U mm	ISO 2328
FR 49 11B	4.900	500	415-980	1.150	850	999	233	51	422	77	155	365	3 A
FR 49 12B	4.900	500	415-1.075	1.245	900	999	244	51	421	77	155	365	3 A
FR 49 13B	4.900	500	415-1.180	1.350	970	999	256	51	420	77	155	365	3 A
FR 49 15B	4.900	500	415-1.380	1.550	1.200	999	280	50	418	77	155	365	3 A
FR 49 16B	4.900	500	415-1.490	1.660	1.260	999	292	50	416	77	155	365	3 A
FR 49 18B	4.900	500	415-1.630	1.800	1.550	999	345	50	414	77	155	365	3 A
FR 49 20B	4.900	500	415-1.830	2.000	1.550	999	382	50	412	77	155	365	3 A
FR 65 11C	6.500	600	415-900	1.070	900	1.190	307	53	352	84	155	390	4 A
FR 65 12C	6.500	600	415-1.080	1.250	900	1.190	320	53	351	84	155	390	4 A
FR 65 13C	6.500	600	415-1.180	1.350	900	1.190	355	52	351	84	155	390	4 A
FR 65 15C	6.500	600	415-1.380	1.550	1.000	1.190	375	51	350	84	155	390	4 A
FR 65 18C	6.500	600	415-1.660	1.830	1.350	1.190	415	51	349	84	155	390	4 A
FR 65 20C	6.500	600	415-1.830	2.000	1.350	1.190	439	50	348	84	155	390	4 A
FR 65 24C	6.500	600	415-2.230	2.400	1.750	1.190	483	50	346	84	155	390	4 A

Notes:

- Two hydraulic functions required.
- Sideshift stroke always 100 + 100 mm.
- Max. suggested fork length 1500 mm.
- Delivered without forks. Original lift truck forks can be fitted without any modification.
- Check valve for low clamping pressure (5,0 MPa).

Options:

- Load backrest.

