



**STRONG PARTNERS.
TOUGH TRUCKS.™**

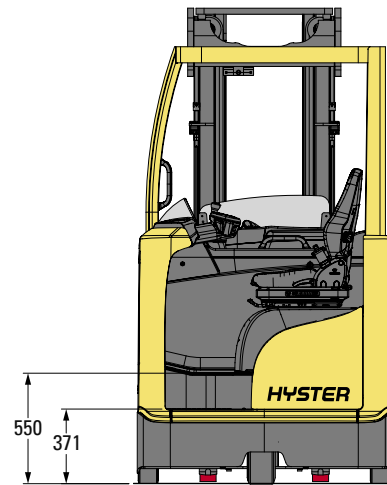
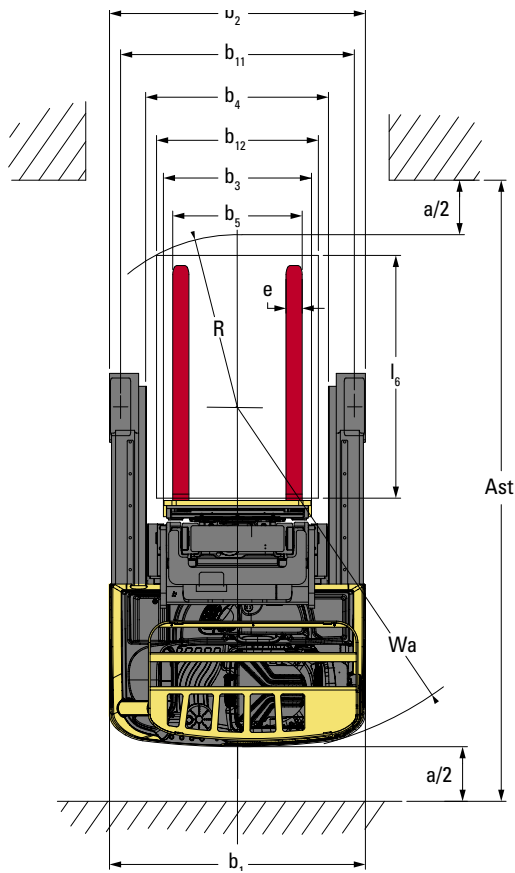
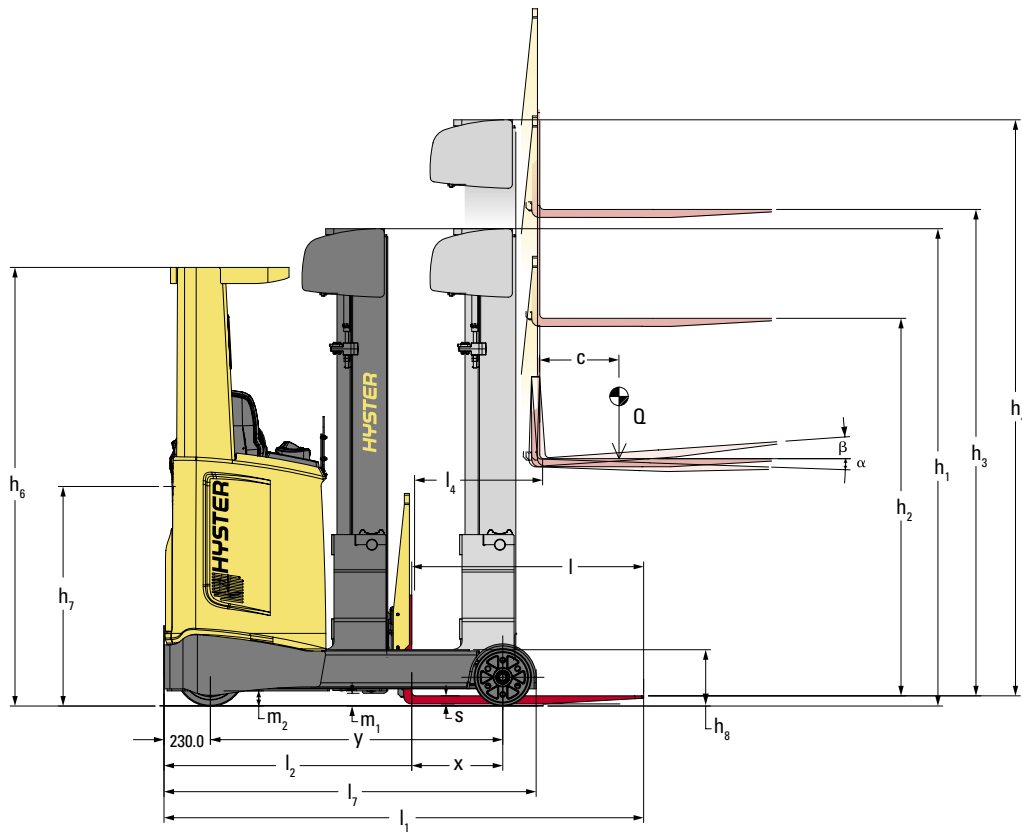


R1.4-R2.5 SERIES TECHNICAL GUIDE



WWW.HYSTER.COM

> TRUCK DIMENSIONS - STANDARD



$$A_{st} = Wa + R + a$$

(see lines 4.34.1 and 4.34.2)

$$R = \sqrt{(l_6 - x)^2 + \left(\frac{b_{12}}{2}\right)^2}$$

$$a = 200\text{mm}$$

All values are nominal values and they are subject to tolerances. For further information, please contact the manufacturer. Hyster products might be subject to change without notice. Lift trucks illustrated may feature optional equipment. Values may vary with alternative configurations.



GENERAL			HYSTER		HYSTER		HYSTER		HYSTER		
			R1.4		R1.6		R1.6N		R2.0		
1-1	Manufacturer (abbreviation)				Electric (battery)		Electric (battery)		Electric (battery)		
1-2	Manufacturer's type designation				Electric (battery)		Electric (battery)		Electric (battery)		
1-3	Drive: electric (battery or mains), diesel, petrol, fuel gas				Seated		Seated		Seated		
1-4	Operator type: hand, pedestrian, standing, seated, order-picker				Seated		Seated		Seated		
1-5	Rated capacity/Rated load	Q ₁ t	1.4		1.6		1.6		2.0		
1-6	Load centre distance	c mm	600		600		600		600		
1-8	Load distance, centre of drive axle to fork (9) (10) (16) (17)	x mm	258		308		202		343		
1-9	Wheelbase	y mm	1400		1450		1450		1500		
2-1	Service weight	kg	3495		3546		3498		3801		
2-3	Axle loading, unladen front/rear (5)	kg	2055	1440	2103	1443	1955	1543	2296	1504	
2-4	Axle loading fork advanced, laden front/rear	kg	885	4010	810	4336	757	4341	770	5030	
2-5	Axle loading fork retracted, laden front/rear	kg	1711	3184	1779	3367	1514	3584	1971	3829	
3-1	Tyre type		NDIIThane		NDIIThane		NDIIThane		NDIIThane		
3-2	Tyre size, front	ø mm x mm	343 x 140		343 x 140		343 x 140		343 x 140		
3-3	Tyre size, rear	ø mm x mm	285 x 100		285 x 100		285 x 100		285 x 100		
3-5	Wheels, number front / rear (x = driven wheels)		1x	2	1x	2	1x	2	1x	2	
3-7	Tread, rear	b ₁₁ mm	1155		1155		1025		1155		
4-1	Tilt of mast/fork carriage forward/backward	α/β (°)	2 / 4		2 / 4		2 / 4		2 / 4		
4-2	Height of mast, lowered	h ₁ mm	2195		2195		2195		2195		
4-3	Free lift	h ₂ mm	1648		1648		1648		1582		
4-4	Lift	h ₃ mm	5000		5000		5000		4650		
4-5	Height, mast extended (1)	h ₄ mm	5563		5563		5563		5263		
4-7	Height of overhead guard (cabin) (2) (12) (15)	h ₆ mm	2175		2175		2175		2175		
4-8	Seat height relating to SIP	h ₇ mm	1082		1082		1082		1082		
4-10	Height of wheel arms	h ₈ mm	308		308		308		308		
4-19	Overall length	l ₁ mm	2523		2523		2629		2538		
4-20	Length to face of forks (16) (17)	l ₂ mm	1373		1373		1479		1388		
4-21	Overall width (3) (13) (14)	b ₁ /b ₂ mm	1265		1265		1125		1265		
4-22	Fork dimensions DIN ISO 2331	s/e/l mm	40	80	1150	40	120	1150	40	120	1150
4-23	Fork carriage ISO 2328, class/type A, B		2A		2A		2A		2A		
4-24	Fork-carriage width	b ₃ mm	700		700		700		700		
4-25	Distance between fork-arms MIN/MAX (8)	b ₅ mm	220	640	260	680	260	680	260	680	
4-26	Distance between wheel arms/loading surfaces	b ₄ mm	900		900		795		900		
4-28	Reach distance	l _k mm	441		491		385		541		
4-31	Ground clearance, laden, below mast	m ₁ mm	75		75		75		75		
4-32	Ground clearance, centre of wheelbase	m ₂ mm	85		85		85		85		
4-34-1	Aisle width for pallets 1000mm x 1200mm crossways (11) (16) (17)	A _{st} mm	2826		2834		2899		2857		
4-34-2	Aisle width for pallets 800mm x 1200mm lengthwise (11) (16) (17)	A _{st} mm	2895		2896		2976		2913		
4-35	Turning radius	W _a mm	1671		1718		1700		1767		
4-37	Length across wheel arms	l ₇ mm	1795		1845		1845		1895		
4-42	Step height (from ground to running board)	mm	550		550		550		550		
4-43	Step height (between intermediate steps between running board and floor)	mm	371		371		371		371		
5-1	Travel speed, laden/unladen (7)	km/h	11 / 11 (14 / 14)		11 / 11 (14 / 14)		11 / 11 (14 / 14)		11 / 11 (14 / 14)		
5-1-1	Travel speed, laden/unladen, backwards (7)	km/h	11 / 11 (14 / 14)		11 / 11 (14 / 14)		11 / 11 (14 / 14)		11 / 11 (14 / 14)		
5-2	Lift speed, laden/unladen (7)	m/s	0.37 / 0.63 (0.47 / 0.73)		0.32 / 0.63 (0.42 / 0.73)		0.32 / 0.63 (0.42 / 0.73)		0.37 / 0.64		
5-3	Lowering speed, laden/unladen	m/s	0.55		0.55		0.55		0.55 / 0.50		
5-4	Reaching speed, laden/unladen	m/s	0.17 / 0.17		0.17 / 0.17		0.17 / 0.17		0.17 / 0.17		
5-7	Gradeability, laden/unladen (7)(18)	%	7 / 10 (15 / 20)		7 / 10 (14 / 20)		7 / 10 (14 / 20)		12 / 20		
5-8	Max. gradeability laden/unladen (7)(18)	%	15 / 20 (15 / 20)		14 / 20 (14 / 20)		14 / 20 (14 / 20)		12 / 20		
5-9	Acceleration time laden/unladen (7)	s	3.3 / 3.3 (2.6 / 2.6)		3.4 / 3.4 (2.7 / 2.7)		3.4 / 3.4 (2.7 / 2.7)		2.6 / 2.5		
5-10	Service brake		Electric		Electric		Electric		Electric		
6-1	Drive motor S2 60 minute rating (7)	kW	5.4 (9.6) (19)		5.4 (9.6) (19)		5.4 (9.6) (19)		9.6		
6-2	Lift motor, S3 15% rating (7)	kW	9.9 (14)		9.9 (14)		9.9 (14)		14		
6-3	Battery according to DIN 43531/35/36 A,B,C, no		C		C		B		C		
6-4	Battery voltage/nominal capacity K5	(V)/(Ah)	48	700 (6)	48	700 (6)	48	700 (6)	48	700 (6)	
6-5	Battery weight (4)	kg	1119		1119		1119		1119		
6-6	Energy consumption according to VDI cycle	kWh/h at number of cycles	3.8		4.0		4.0		4.6		
8-1	Type of drive unit		AC-Controller		AC-Controller		AC-Controller		AC-Controller		
10-1	Operating pressure for attachments	bar	180		180		180		180		
10-2	Oil volume for attachment	l/min	20		20		20		20		
10-7	Sound pressure level at the driver's seat	dB (A)	<69.7		<69.7		<69.7		<69.7		

NOTES:

Specifications are affected by the condition of the vehicle and how it is equipped, as well as the nature and condition of the operating area. Inform your dealer of the nature and condition of the intended operating area when purchasing your Hyster® truck.

- (1) With load backrest h 4 + 508 mm (R1.4-R1.6-R1.6N-R1.6HD), + 443 mm (R2.0-R2.5-R2.0HD).
- With beacon h 6 + 120 mm ;
- With load wheels lateral covers: 1289 mm (R1.4-R1.6-R2.0-R1.6HD), 1153 mm (R1.6N), 1373 mm (R2.5-R2.0HD).
- These values may vary of +/- 5%.
- Forks retracted.
- See "Batteries table".
- Values in brackets are Optional.

(8) Side shift stroke is +/-75mm on all trucks. Reduced to +/-25mm for R1.6N.

(9) For models R1.4-1.6 with mast 4 stg: "x" - 53mm.

(10) For models R2.0-2.5 with mast 4 stg: "x" - 108mm.

(11) For Ast with mast 4 stg, see "Mast table 4stg 14-16" and "Mast table 4stg 20-25"

(12) With OHG Grid Protector h6 + 30 mm ; With OHG Screen Protector h6 + 45 mm .

(13) For model R1.6N with work lights on carriage w900mm: b1 + 113 mm

(14) With work lights on carriage w1100mm :
for model R1.6N: b1 + 313 mm
for models R1.4-R1.6/MR16 - R2.0-R1.6HD: b1 + 173 mm
for models R2.5-R2.0HD: b1 + 93 mm

(15) With PAL side line h6 + 135mm, With Double Work Light to Front h6 + 220 mm

Safety: This truck conforms to the current EU requirements.

Specification data is based on VDI 2198.

> R2.5, R1.6HD, R2.0HD

GENERAL	1-1		HYSTER		HYSTER		HYSTER	
	Manufacturer (abbreviation)		R2.5		R1.6HD		R2.0HD	
	1-2		Electric (battery)		Electric (battery)		Electric (battery)	
	1-3		Seated		Seated		Seated	
	1-4		2.5		1.6		2.0	
	1-5		600		600		600	
	1-6		416		293		266	
	1-8		1650		1450		1500	
	1-9		2306		4224		4617	
WEIGHT	2-1		2565		1796		2040	
	2-3		876		4845		5632	
	2-4		2306		2104		2149/4468	
WHEELS	3-1		NDIIThane		NDIIThane		NDIIThane	
	3-2		343 x 140		343 x 140		343 x 140	
	3-3		285 x 140		285 x 100		285 x 140	
DIMENSIONS	3-5		1x 2		1x 2		1x 2	
	3-7		1195		1155		1195	
	4-1		2		4		2 4	
	4-2		2195		3227		3227	
	4-3		1582		2680		2614	
	4-4		4650		7900		7750	
	4-5		5263		8463		8363	
	4-7		2175		2175		2175	
	4-8		1082		1082		1082	
	4-10		308		308		308	
	4-19		2615		2538		2615	
	4-20		1465		1388		1465	
	4-21		1345		1265		1345	
	4-22		45 120 1150		40 120 1150		45 120 1150	
	4-23		2A		2A		2A	
	4-24		700		700		700	
	4-25		260 680		260 680		260 680	
	4-26		900		900		900	
	4-28		614		491		464	
	4-31		75		75		75	
	4-32		85		85		65	
	4-34-1		2949		2845		2915	
	4-34-2		2992		2909		2984	
	4-35		1911		1718		1767	
4-37		2045		1845		1895		
4-42		550		550		550		
4-43		371		371		371		
PERFORMANCE	5-1		11 / 11 (14 / 14)		11 / 11 (14 / 14)		11 / 11 (14 / 14)	
	5-1-1		11 / 11 (14 / 14)		11 / 11 (14 / 14)		11 / 11 (14 / 14)	
	5-2		0.30 / 0.64		0.42 / 0.73		0.37 / 0.68	
	5-3		0.55 / 0.50		0.55		0.55	
	5-4		0.17 / 0.17		0.17 / 0.17		0.17 / 0.17	
	5-7		10 / 18		12 / 18		11 / 16	
	5-8		10 / 18		12 / 18		11 / 16	
	5-9		2.7/2.6		2.6/2.5		2.7/2.6	
	5-10		Electric		Electric		Electric	
	ELECTRIC ENGINE	6-1		9.6		9.6		9.6
6-2		14		14		14		
6-3		C		C		C		
6-4		48 840 (6)		48 700 (6)		48 840 (6)		
6-5		1306		1119		1306		
6-6		5.2		4.2		4.8		
ADDITIONAL DATA	8-1		AC-Controller		AC-Controller		AC-Controller	
	10-1		180		180		180	
	10-2		20		20		20	
	10-7		<69.7		<69.7		<69.7	

- (16) For model R1.4 with h3 <= 5500 mm and battery 420 Ah and Operator Shield Transparent (Lexan) / Wire Mesh Screen : l2 + 72 mm, x - 72 mm, Ast 4.34.1 = 2770 mm, Ast 4.34.2 = 2829 mm
- (17) For model R1.6 with h3 <= 5500 mm and battery 420 Ah and Operator Shield Transparent (Lexan) / Wire Mesh Screen : l2 + 72 mm, x - 72 mm, Ast 4.34.1 = 2781 mm, Ast 4.34.2 = 2830 mm
- (18) Gradeability grades based on motor thermal capacity, torque available and brake requirements
- (19) Available traction motor 4kW for Russian market

NOTICE:

Care must be exercised when handling elevated loads. Operators must be trained and must read, understand and follow the instructions contained in the Operating Manual. All values are nominal values and they are subject to tolerances. For further information, please contact the manufacturer. Hyster products are subject to change without notice. Lift trucks illustrated may feature optional equipment. Values may vary with alternative configurations.

STANDARD EQUIPMENT AND OPTIONS



OPERATOR COMPARTMENT	R1.4/1.6	R1.6N	R2.0/2.5	R1.6HD	R2.0HD
Intermediate step	x	x	x	x	x
Grab handle on overhead guard post	x	x	x	x	x
Grab handle under amrest	x	x	x	x	x
TouchPoint™ mini levers mounted on adjustable length armrest	x	x	x	x	x
Joystick mounted on adjustable length armrest	o	o	o	o	o
Full suspension seat - 60 mm suspension travel cloth upholstery	x	x	x	x	x
Full suspension seat - 80 mm suspension travel cloth upholstery	o	o	o	o	o
Headrest (cloth version only)	o	o	o	o	o
Synchronised seat cushion and backrest movement (cloth version only)	o	o	o	o	o
Seat belt	o	o	o	o	o
Heated seat	o	o	o	o	o
Antistatic seat (cloth version only)	o	o	o	o	o
Vinyl seat upholstery	o	o	o	o	o
Standard display	x	x	x	x	x
Premium display with touch screen	o	o	o	o	o
Keyless access	o	o	o	o	o
Adjustable steering column	x	x	x	x	x
Automatic park brake	x	x	x	x	x
180° steering	x	x	x	x	x
360° steering	o	o	o	o	o
Driver select steering mode 180 / 360° (push button)	o	o	o	o	o
TRAVEL PERFORMANCE					
Travel speed 11 km/h	x	x	-	-	-
Travel speed 14 km/h with electric load wheel braking	o	o	x	x	x
Speed slow down mast reached forward	x	x	x	x	x
Speed slow down on cornering	x	x	x	x	x
Speed slow down over free lift	x	x	x	x	x
LIFT PERFORMANCE / DRIVER ASSIST					
3 stage mast / tilting carriage	x	x	x	-	-
3 stage HD mast / tilting carriage	-	-	-	x	x
4 stage mast / tilting carriage	o	o	o	-	o
Simultaneous lift / reach functionality	x	x	x	x	x
Simultaneous hydraulic functionality - 3 functions	o	o	o	o	o
Mast cushioning over free lift/main lift sections - fixed sensor mounting	x	x	x	x	-
Lift Comfort package (1)	o	o	o	x	x
Lift Performance package	o	o	-	x	x
Laser line fork positioning aid (above free lift)	o	o	o	o	o
Auto side shift centring	o	o	o	o	o
Auto fork levelling in the horizontal position	o	o	o	o	o
Height preselector (with / without pallet detection device)	o	o	o	o	o
Fork mounted camera / monitor	o	o	o	o	o
Weight indicator	o	o	o	o	o
APPLICATION ENVIRONMENT					
draulic function	o	o	o	o	o
Universal support bracket	o	o	o	o	o
Beverage holder and document tray	o	o	o	o	o
A4 clipboard	o	o	o	o	o
Stretch film roll holder	o	o	o	o	o
Lift limit with override (1 x height setting)	o	o	o	o	o
Lift limit with override (2 x height settings)	o	o	o	o	o
Lower limit (with override option)	o	o	o	o	o
Flashing beacon	o	o	o	o	o
Work lights x 2 (mast side)	o	o	o	o	o
Work lights x 2 (drive side)	o	o	o	o	o
Polycarbonate (lexan) protection on overhead guard	o	o	o	o	o
Metal grid protection on overhead guard	o	o	o	o	o
Top / front load wheel protection	x	x	x	x	x
Side load wheel protection	o	o	o	o	o
High temperature environment	o	o	o	o	o
Side battery change - battery tray rollers	o	o	o	o	o
Side battery change table	o	o	o	o	o
Extension cable	o	o	o	o	o
Drive-in overhead guard (w900 x h1400 / w900 x h1700 mm)	o	o	o	o	o
Antistatic drive and load wheels	o	o	o	o	o
Wet surface drive and load wheels	o	o	o	o	o
Side guidance rollers	o	o	R2.0	o	o
DC / DC converter (choice of 12V / 48V, 24V / 48V, 12-24V / 48V options)	o	o	o	o	o
Audible alarm (choice of forks leading, forks trailing, both travel directions)	o	o	o	o	o
Load backrest (choice of heights 1000 / 1500 mm)	o	o	o	o	o
CHASSIS WIDTH (MAX)					
1265mm	x	-	R2.0	x	-
1125mm	-	x	-	-	-
1345mm	-	-	R2.5	-	x
BATTERY SIZES (2)					
420-465 Ah	o	o	-	-	-
560-620 Ah	o	o	o R2.0	o	-
700-775 Ah	o	o	o	o	o
840-930 Ah	-	-	o R2.5	-	o

- (1) Includes:
 - End of stroke slow down on lift
 - Soft stop on lowering
 - Height controlled mast cushioning over Free Lift/Main lift mast section
 - Height indicator

- (2) 33 DIN C battery on R1.4 / R1.6 / R2.0 / R2.5 /
 R1.6HD / R2.0HD DIN B battery on R1.6N

- x Standard
 o Optional
 - Not available

> MAST INFORMATION

R1.4, R1.6 & R1.6N - Standard Mast - 3 stage full free lift (1,400kg / 1,600kg)

Manufacturer's type designation		Lift (h3) mm	Free lift (h2) mm	Height, mast lowered h1 mm	Height, mast extended (1) h4 mm	Weight (2) (3) kg		
R1.4	R1.6N	5000	1648	2195	5563	911		
		5250	1734	2281	5813	936		
		5500	1820	2367	6063	961		
		5750	1906	2453	6313	986		
		6000	1992	2539	6563	1010		
		6250	2078	2625	6813	1035		
		6500	2164	2711	7063	1060		
		6750	2250	2797	7313	1090		
		7000	2336	2883	7563	1115		
		7250	2422	2969	7813	1140		
		7500	2508	3055	8063	1164		
		7750	2594	3141	8313	1220		
		R1.6	R1.6N	8000	2680	3227	8563	1244
				8250	2766	3313	8813	1269
8500	2852			3399	9063	1299		
8750	2938			3485	9313	1324		
9000	3024			3571	9563	1349		
9250	3110			3657	9813	1376		
9500	3196			3753	10063	1407		
9750	3282			3839	10313	1431		
10000	3368			3925	10563	1460		
10250	3454			4011	10813	1485		
10500	3540	4097	11063	1509				
10750	3626	4183	11313	1534				

(1) With load backrest 1000 mm height, h4 + 508 mm; with load backrest 1500 mm height, h4 + 1008 mm

R2.0 & R2.5 - Standard Mast - 3 stage full free lift (2,000kg / 2,500kg)

Manufacturer's type designation		Lift (h3) mm	Free lift (h2) mm	Height, mast lowered h1 mm	Height, mast extended (1) h4 mm	Weight (2) (3) kg
R2.0	R2.5	4650	1582	2195	5263	958
		4900	1668	2281	5513	985
		5150	1754	2367	5763	1012
		5400	1840	2453	6013	1038
		5650	1926	2539	6263	1065
		5900	2012	2625	6513	1092
		6150	2098	2711	6763	1118
		6400	2184	2797	7013	1150
		6650	2270	2883	7263	1177
		6900	2356	2969	7513	1204
		7150	2442	3055	7763	1230
		7400	2528	3141	8013	1288
		7650	2614	3227	8263	1314
		7900	2700	3313	8513	1341
		8150	2786	3399	8763	1373
		8400	2873	3485	9013	1402
		8650	2959	3571	9263	1431
		8900	3045	3657	9513	1461
9150	3131	3753	9763	1490		
9400	3217	3839	10013	1520		
9650	3303	3925	10263	1549		
9900	3389	4011	10513	1579		
10150	3475	4097	10763	1608		
10400	3561	4183	11013	1638		

(1) With load backrest 1000 mm height, h4 + 443 mm; with load backrest 1500 mm height, h4 + 943 mm

R1.6HD - Heavy Duty Mast - 3 stage full free lift (1,600kg)

Manufacturer's type designation		Lift (h3) mm	Free lift (h2) mm	Height, mast lowered h1 mm	Height, mast extended (1) h4 mm	Weight (2) (3) kg
R1.6HD	R1.6HD	7900	2680	3227	8463	1376
		8150	2766	3313	8713	1404
		8400	2852	3399	8963	1438
		8650	2938	3485	9213	1467
		8900	3024	3571	9463	1495
		9150	3110	3657	9713	1523
		9400	3196	3753	9963	1558
		9650	3282	3839	10213	1586
		9900	3368	3925	10463	1649
		10150	3454	4011	10713	1677
		10400	3540	4097	10963	1706
		10650	3626	4183	11213	1734
		10900	3712	4269	11463	1763
		11150	3798	4355	11713	1791
11400	3884	4441	11963	1819		

(1) With load backrest 1000 mm height, h4 + 508 mm; with load backrest 1500 mm height, h4 + 1008 mm

(2) All weights are: mast structures (weldment, cylinders, chain, pulley) + carriage + oil. EXCLUDED: forks, accessories.

(3) With load backrest 700 mm width, 1000 mm height, weight + 13 kg; with load backrest 700 mm width, 1500 mm height, weight + 21 kg

All values are nominal values and they are subject to tolerances. For further information, please contact the manufacturer.

Hyster products may be subject to change without notice. Lift trucks illustrated may feature optional equipment. Values may vary with alternative configurations.

R2.0HD - Heavy Duty Mast - 3 stage full free lift (2,000kg)

Manufacturer's type designation	Lift (h3) mm	Free lift (h2) mm	Height, mast lowered h1 mm	Height, mast extended (1) h4 mm	Weight (2) (3) kg
R2.0HD	7750	2614	3227	8363	1402
	8000	2700	3313	8613	1431
	8250	2786	3399	8863	1465
	8500	2872	3485	9113	1494
	8750	2958	3571	9363	1523
	9000	3044	3657	9613	1552
	9250	3130	3753	9863	1587
	9500	3216	3839	10113	1615
	9750	3302	3925	10363	1678
	10000	3388	4011	10613	1707
	10250	3474	4097	10863	1736
	10500	3560	4183	11113	1765
	10750	3646	4269	11363	1793
	11000	3732	4355	11613	1822
	11250	3818	4441	11863	1851
	11500	3904	4527	12113	1880
	11750	3990	4613	12363	1908
	12000	4076	4699	12613	1937
12250	4162	4785	12863	1966	
12500	4248	4871	13113	1995	
12750	4334	4957	13373	2024	

(1) With load backrest 1000 mm height, h4 + 443 mm; with load backrest 1500 mm height, h4 + 943 mm

R1.4, R1.6, R1.6N - Standard Mast - 4 stage full free lift (1,400kg / 1,600kg)

Manufacturer's type designation	Lift (h3) mm	Free lift (h2) mm	Height, mast lowered h1 mm	Height, mast extended (1) h4 mm	Weight (2) (3) kg	
R1.4	R1.6N	6650	1700	2280	7230	1014
		7050	1800	2380	7630	1046
		7450	1900	2480	8030	1078
		7850	2000	2580	8430	1110
		8050	2050	2630	8630	1126
R1.6	R1.6N	8300	2150	2730	8880	1158
		8500	2200	2780	9080	1207
		8700	2250	2830	9280	1223
		9150	2400	2980	9730	1271
		9400	2500	3080	9980	1303
		9850	2650	3230	10430	1351
	10050	2700	3280	10630	1367	

(1) With load backrest 1000 mm height, h4 + 508 mm; with load backrest 1500 mm height, h4 + 1008 mm

(2) All weights are: mast structures (weldment, cylinders, chain, pulley) + carriage + oil. EXCLUDED: forks, accessories.

(3) With load backrest 700 mm width, 1000 mm height, weight + 13 kg; with load backrest 700 mm width, 1500 mm height, weight + 21 kg

All values are nominal values and they are subject to tolerances. For further information, please contact the manufacturer.

Hyster products may be subject to change without notice. Lift trucks illustrated may feature optional equipment. Values may vary with alternative configurations.

R1.4	1-2	Manufacturer's type designation	R1.4						
	4-34-1	Aisle width for pallets 1000mm x 1200mm crossways	Ast (mm)	2757	2811	2757	2811	2867	2867
	4-34-2	Aisle width for pallets 800mm x 1200mm lengthwise	Ast (mm)	2812	2877	2812	2877	2944	2944
	6-3	Battery according to DIN 43531/35/36 A,B,C, no	C	C	C "Super"	C "Super"	C	C "Super"	
	6-4	Battery voltage/nominal capacity K5	(V)/(Ah)	48/420	48/560	48/465	48/620	48/700	48/775
	6-5	Battery weight (4)	kg	750	939	750	950	1119	1165

R1.6	1-2	Manufacturer's type designation	R1.6						
	4-34-1	Aisle width for pallets 1000mm x 1200mm crossways	Ast (mm)	2768	2820	2768	2820	2875	2875
	4-34-2	Aisle width for pallets 800mm x 1200mm lengthwise	Ast (mm)	2814	2879	2814	2879	2945	2945
	6-3	Battery according to DIN 43531/35/36 A,B,C, no	C	C	C "Super"	C "Super"	C	C "Super"	
	6-4	Battery voltage/nominal capacity K5	(V)/(Ah)	48/420	48/560	48/465	48/620	48/700	48/775
	6-5	Battery weight (4)	kg	750	939	750	950	1119	1165

R1.6N	1-2	Manufacturer's type designation	R1.6N						
	4-34-1	Aisle width for pallets 1000mm x 1200mm crossways	Ast (mm)	2801	2869	2801	2869	2941	2942
	4-34-2	Aisle width for pallets 800mm x 1200mm lengthwise	Ast (mm)	2859	2941	2859	2941	3025	3025
	6-3	Battery according to DIN 43531/35/36 A,B,C, no	B	B	B "Super"	B "Super"	B	B "Super"	
	6-4	Battery voltage/nominal capacity K5	(V)/(Ah)	48/420	48/560	48/465	48/620	48/700	48/775
	6-5	Battery weight (4)	kg	746	937	750	945	1119	1135

(4) These values may vary of +/- 5%.

> MAST INFORMATION

R2.0, R2.5, R2.0HD - Standard Mast - 4 stage full free lift (2,000 / 2,500kg)

Manufacturer's type designation	Lift (h3) mm	Free lift (h2) mm	Height, mast lowered h1 mm	Height, mast extended (1) h4 mm	Weight (2) (3) kg
R2.0	7050	1800	2380	7630	1295
	7450	1900	2480	8030	1335
	7850	2000	2580	8430	1375
R2.5	8050	2050	2630	8630	1395
	8300	2150	2730	8880	1435
	8500	2200	2780	9080	1490
R2.0HD	8700	2250	2830	9280	1510
	9150	2400	2980	9730	1570
	9400	2500	3080	9980	1610
	9850	2650	3230	10430	1670
	10050	2700	3280	10630	1690
	10300	2800	3380	10880	1730
	10500	2850	3430	11080	1750
	10750	2950	3530	11330	1790
	11000	3050	3630	11580	1830
	11400	3150	3730	11980	1870

(1) With load backrest 1000 mm height, h4 + 508 mm; with load backrest 1500 mm height, h4 + 1008 mm

R2.0	1-2	Manufacturer's type designation	R2.0				
	4-34-1	Aisle width for pallets 1000mm x 1200mm crossways	Ast (mm)	2884	2884	2940	2940
	4-34-2	Aisle width for pallets 800mm x 1200mm lengthwise	Ast (mm)	2946	2946	3012	3012
	6-3	Battery according to DIN 43531/35/36 A,B,C, no	C	C "Super"	C	C "Super"	
	6-4	Battery voltage/nominal capacity K5	(V)/(Ah)	48/560	48/620	48/700	48/775
	6-5	Battery weight (4)	kg	939	950	1119	1165

R2.5	1-2	Manufacturer's type designation	R2.5				
	4-34-1	Aisle width for pallets 1000mm x 1200mm crossways	Ast (mm)	2974	2974	3027	3027
	4-34-2	Aisle width for pallets 800mm x 1200mm lengthwise	Ast (mm)	3024	3024	3089	3089
	6-3	Battery according to DIN 43531/35/36 A,B,C, no	C	C "Super"	C	C "Super"	
	6-4	Battery voltage/nominal capacity K5	(V)/(Ah)	48/700	48/775	48/840	48/930
	6-5	Battery weight (4)	kg	1119	1165	1306	1368

R2.0HD	1-2	Manufacturer's type designation	R2.0HD				
	4-34-1	Aisle width for pallets 1000mm x 1200mm crossways	Ast (mm)	2944	2944	3001	3001
	4-34-2	Aisle width for pallets 800mm x 1200mm lengthwise	Ast (mm)	3017	3017	3084	3084
	6-3	Battery according to DIN 43531/35/36 A,B,C, no	C	C "Super"	C	C "Super"	
	6-4	Battery voltage/nominal capacity K5	(V)/(Ah)	48/700	48/775	48/840	48/930
	6-5	Battery weight (4)	kg	1119	1165	1306	1368

(4) These values may vary of +/- 5%.

MAST TABLES NOTES:

R1.4, R1.6, R1.6N - 3 stage full free lift

- (1) With load backrest 1000 mm height, h4 + 508 mm; with load backrest 1500 mm height, h4 + 1008 mm
- (2) All weights are: mast structures (weldment, cylinders, chain, pulley) + carriage + oil. EXCLUDED: forks, accessories.
- (3) With load backrest 700 mm width, 1000 mm height, weight + 13 kg; with load backrest 700 mm width, 1500 mm height, weight + 21 kg

R2.0, R2.5 - 3 stage full free lift

- (1) With load backrest 1000 mm height, h4 + 443 mm; with load backrest 1500 mm height, h4 + 943 mm

R1.6HD - Heavy Duty 3 stage full free lift

- (1) With load backrest 1000 mm height, h4 + 508 mm; with load backrest 1500 mm height, h4 + 1008 mm

R2.0HD - Heavy Duty 3 stage full free lift

- (1) With load backrest 1000 mm height, h4 + 443 mm; with load backrest 1500 mm height, h4 + 943 mm

R1.4, R1.6, R1.6N - 4 stage full free lift

- (1) With load backrest 1000 mm height, h4 + 508 mm; with load backrest 1500 mm height, h4 + 1008 mm
- (2) All weights are: mast structures (weldment, cylinders, chain, pulley) + carriage + oil. EXCLUDED: forks, accessories.
- (3) With load backrest 700 mm width, 1000 mm height, weight + 13 kg; with load backrest 700 mm width, 1500 mm height, weight + 21 kg
- (4) These values may vary of +/- 5%.

R2.0, R2.0HD, R2.5 - 4 stage full free lift

- (1) With load backrest 1000 mm height, h4 + 508 mm; with load backrest 1500 mm height, h4 + 1008 mm
- (2) All weights are: mast structures (weldment, cylinders, chain, pulley) + carriage + oil. EXCLUDED: forks, accessories.
- (3) With load backrest 700 mm width, 1000 mm height, weight + 13 kg; with load backrest 700 mm width, 1500 mm height, weight + 21 kg
- (4) These values may vary of +/- 5%.

BATTERY INFORMATION - R1.4, R1.6, R1.6N



	1-2	Manufacturer's type designation	R1.4						
			x (mm)	402	330	402	330	258	258
R1.4	1-8	Load distance, centre of drive axle to fork	y (mm)	1400	1400	1400	1400	1400	1400
	1-9	Wheelbase	kg	3112	3309	3112	3320	3495	3541
	2-1	Service weight	kg	1977/1135	2025/1285	1977/1135	2032/1289	2055/1440	2084/1457
	2-3	Axle loading, unladen front/rear (4)	kg	682/3830	792/3917	682/3830	800/3921	885/4010	914/4027
	2-4	Axle loading fork advanced, laden front/rear	kg	1778/2735	1753/2956	1778/2735	1760/2960	1711/3184	1741/3201
	2-5	Axle loading fork retracted, laden front/rear	kg	2379	2451	2379	2451	2523	2523
	4-19	Overall length	l ₁ (mm)	1229	1301	1229	1301	1373	1373
	4-20	Length to face of forks	l ₂ (mm)	585	513	585	513	441	441
	4-28	Reach distance	l ₄ (mm)	2718	2771	2718	2771	2828	2826
	4-34-1	Aisle width for pallets 1000mm x 1200mm crossways (5)	A ₂₁ (mm)	2764	2829	2764	2829	2895	2895
	4-34-2	Aisle width for pallets 800mm x 1200mm lengthwise (5)	A ₂₂ (mm)	1671	1671	1671	1671	1671	1671
	4-35	Turning radius	W _s (mm)	C	C	C "Super"	C "Super"	C	C "Super"
	6-3	Battery according to DIN 43531/35/36 A,B,C, no	(V)/(Ah)	48/420	48/560 (2)	48/465	48/620 (2)	48/700 (3)	48/775 (3)
	6-4	Battery voltage/nominal capacity K5	kg	750	939	750	950	1119	1165
	6-5	Battery weight (1)							

	1-2	Manufacturer's type designation	R1.6						
			x (mm)	452	380	452	380	308	308
R1.6	1-8	Load distance, centre of drive axle to fork	y (mm)	1450	1450	1450	1450	1450	1450
	1-9	Wheelbase	kg	3162	3360	3162	3371	3546	3592
	2-1	Service weight	kg	2018/1144	2069/1291	2018/1144	2077/1294	2103/1443	2133/1459
	2-3	Axle loading, unladen front/rear (4)	kg	601/4162	714/4246	601/4162	721/4250	810/4336	839/4352
	2-4	Axle loading fork advanced, laden front/rear	kg	1853/2909	1825/3135	1853/2909	1832/3139	1779/3367	1809/3383
	2-5	Axle loading fork retracted, laden front/rear	kg	2379	2451	2379	2451	2523	2523
	4-19	Overall length	l ₁ (mm)	1229	1301	1229	1301	1373	1373
	4-20	Length to face of forks	l ₂ (mm)	635	563	635	563	491	491
	4-28	Reach distance	l ₄ (mm)	2731	2781	2731	2781	2834	2834
	4-34-1	Aisle width for pallets 1000mm x 1200mm crossways (5)	A ₂₁ (mm)	2767	2830	2767	2830	2896	2896
	4-34-2	Aisle width for pallets 800mm x 1200mm lengthwise (5)	A ₂₂ (mm)	1718	1718	1718	1718	1718	1718
	4-35	Turning radius	W _s (mm)	C	C	C "Super"	C "Super"	C	C "Super"
	6-3	Battery according to DIN 43531/35/36 A,B,C, no	(V)/(Ah)	48/420	48/560 (2)	48/465	48/620 (2)	48/700 (3)	48/775 (3)
	6-4	Battery voltage/nominal capacity K5	kg	750	939	750	950	1119	1165
	6-5	Battery weight (1)							

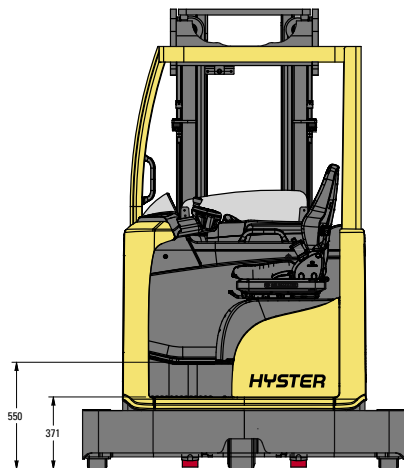
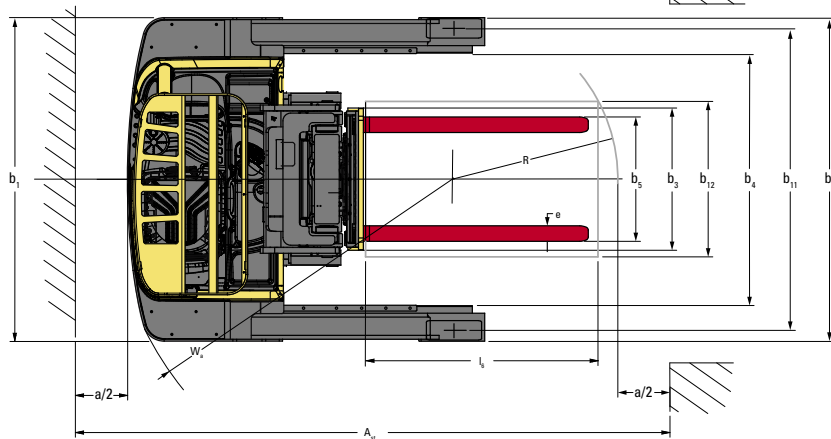
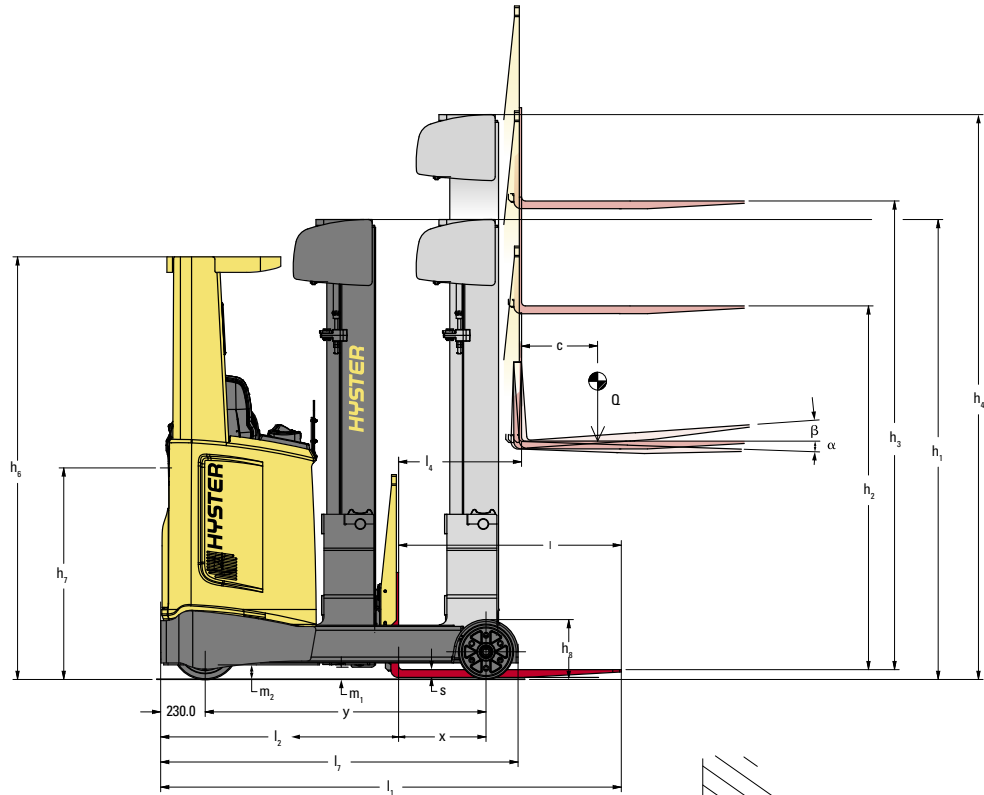
	1-2	Manufacturer's type designation	R1.6N						
			x (mm)	382	292	382	292	202	202
R1.6N	1-8	Load distance, centre of drive axle to fork	y (mm)	1450	1450	1450	1450	1450	1450
	1-9	Wheelbase	kg	3111	3309	3115	3317	3498	3514
	2-1	Service weight	kg	1922/1189	1947/1362	1924/1191	1952/1365	1955/1543	1965/1549
	2-3	Axle loading, unladen front/rear (4)	kg	569/4142	672/4237	572/4143	677/4240	757/4341	766/4347
	2-4	Axle loading fork advanced, laden front/rear	kg	1680/3032	1606/3303	1682/3033	1611/3306	1514/3584	1524/3590
	2-5	Axle loading fork retracted, laden front/rear	kg	2449	2539	2449	2539	2629	2629
	4-19	Overall length	l ₁ (mm)	1299	1389	1299	1389	1479	1479
	4-20	Length to face of forks	l ₂ (mm)	565	475	565	475	385	385
	4-28	Reach distance	l ₄ (mm)	2762	2828	2762	2828	2898	2899
	4-34-1	Aisle width for pallets 1000mm x 1200mm crossways (5)	A ₂₁ (mm)	2811	2893	2811	2893	2976	2976
	4-34-2	Aisle width for pallets 800mm x 1200mm lengthwise (5)	A ₂₂ (mm)	1700	1700	1700	1700	1700	1700
	4-35	Turning radius	W _s (mm)	B	B	B "Super"	B "Super"	B	B "Super"
	6-3	Battery according to DIN 43531/35/36 A,B,C, no	(V)/(Ah)	48/420	48/560	48/465	48/620	48/700	48/775
	6-4	Battery voltage/nominal capacity K5	kg	746	937	750	945	1119	1135
	6-5	Battery weight (1)							

All values are nominal values and they are subject to tolerances. For further information, please contact the manufacturer. Hyster products might be subject to change without notice. Lift trucks illustrated may feature optional equipment. Values may vary with alternative configurations.

BATTERY TABLES NOTES:

- (1) These values may vary of +/- 5%
 - (2) Available Li-Ion battery 48V / 450Ah (895kg)
 - (3) Available Li-Ion battery 48V / 450Ah (1067/1068kg); Li-Ion battery 48V / 600Ah (1091kg)
 - (4) Forks retracted
 - (5) With load wheels lateral covers: 1489 mm (Wide), 1689 mm (Extra Wide)
 - (6) Side shift stroke is +/-75mm on all trucks.
- All weights (2.1 to 2.5) are with lowest mast and standard forks.

> TRUCK DIMENSIONS - WIDE / EXTRA WIDE



$$Ast = Wa + R + a$$

(see lines 4.34.1 and 4.34.2)

$$R = \sqrt{(l_6 - x)^2 + \left(\frac{b_{12}}{2}\right)^2}$$

$$a = 200\text{mm}$$

All values are nominal values and they are subject to tolerances. For further information, please contact the manufacturer. Hyster products might be subject to change without notice. Lift trucks illustrated may feature optional equipment. Values may vary with alternative configurations.

BATTERY INFORMATION - R2.0, R2.5, R1.6HD, R2.0HD



	1-2	Manufacturer's type designation	R2.0				
			x (mm)				
R2.0	1-8	Load distance, centre of drive axle to fork	415	415	343	343	
	1-9	Wheelbase	1500	1500	1500	1500	
	2-1	Service weight	3615	3626	3801	3847	
	2-3	Axle loading, unladen front/rear (4)	2261/1354	2268/1358	2296/1504	2326/1520	
	2-4	Axle loading fork advanced, laden front/rear	671/4943	679/4947	770/5030	801/5046	
	2-5	Axle loading fork retracted, laden front/rear	2032/3583	2039/3586	1971/3829	2002/3845	
	4-19	Overall length	l ₁ (mm)	2451	2451	2523	2523
	4-20	Length to face of forks	l ₂ (mm)	1316	1316	1388	1388
	4-28	Reach distance	l ₄ (mm)	613	613	541	541
	4-34-1	Aisle width for pallets 1000mm x 1200mm crossways (5)	A ₃₁ (mm)	2805	2805	2857	2857
	4-34-2	Aisle width for pallets 800mm x 1200mm lengthwise (5)	A ₃₂ (mm)	2848	2848	2913	2912
	4-35	Turning radius	W ₁ (mm)	1767	1767	1767	1767
	6-3	Battery according to DIN 43531/35/36 A,B,C, no		C	C "Super"	C	C "Super"
	6-4	Battery voltage/nominal capacity K5	(V)/(Ah)	48/560 (2)	48/620 (2)	48/700 (3)	48/775 (3)
	6-5	Battery weight (1)	kg	939	950	1119	1165

	1-2	Manufacturer's type designation	R2.5				
			x (mm)				
R2.5	1-8	Load distance, centre of drive axle to fork	488	488	416	416	
	1-9	Wheelbase	1650	1650	1650	1650	
	2-1	Service weight	4038	4084	4230	4292	
	2-3	Axle loading, unladen front/rear (4)	2520/1518	2552/1532	2565/1665	2606/1686	
	2-4	Axle loading fork advanced, laden front/rear	773/5765	804/5780	876/5855	917/5875	
	2-5	Axle loading fork retracted, laden front/rear	2371/4167	2402/4182	2306/4424	2348/4444	
	4-19	Overall length	l ₁ (mm)	2528	2528	2600	2600
	4-20	Length to face of forks	l ₂ (mm)	1393	1393	1465	1465
	4-28	Reach distance	l ₄ (mm)	686	686	614	614
	4-34-1	Aisle width for pallets 1000mm x 1200mm crossways (5)	A ₃₁ (mm)	2900	2900	2949	2948
	4-34-2	Aisle width for pallets 800mm x 1200mm lengthwise (5)	A ₃₂ (mm)	2927	2927	2991	2991
	4-35	Turning radius	W ₁ (mm)	1911	1911	1911	1911
	6-3	Battery according to DIN 43531/35/36 A,B,C, no		C	C "Super"	C	C "Super"
	6-4	Battery voltage/nominal capacity K5	(V)/(Ah)	48/700 (3)	48/775 (3)	48/840	48/930
	6-5	Battery weight (1)	kg	1119	1165	1306	1368

	1-2	Manufacturer's type designation	R1.6HD				
			x (mm)				
R1.6HD	1-8	Load distance, centre of drive axle to fork	308	308	293	293	
	1-9	Wheelbase	1450	1450	1450	1450	
	2-1	Service weight	4038	4049	4224	4270	
	2-3	Axle loading, unladen front/rear (4)	2417/1621	2424/1625	2428/1796	2457/1813	
	2-4	Axle loading fork advanced, laden front/rear	883/4755	891/4758	979/4845	1009/4861	
	2-5	Axle loading fork retracted, laden front/rear	2172/3466	2180/3469	2104/3720	2134/3736	
	4-19	Overall length	l ₁ (mm)	2523	2523	2523	2523
	4-20	Length to face of forks	l ₂ (mm)	1373	1373	1388	1388
	4-28	Reach distance	l ₄ (mm)	491	491	491	491
	4-34-1	Aisle width for pallets 1000mm x 1200mm crossways (5)	A ₃₁ (mm)	2834	2834	2845	2845
	4-34-2	Aisle width for pallets 800mm x 1200mm lengthwise (5)	A ₃₂ (mm)	2896	2896	2909	2909
	4-35	Turning radius	W ₁ (mm)	1718	1718	1718	1718
	6-3	Battery according to DIN 43531/35/36 A,B,C, no		C	C "Super"	C	C "Super"
	6-4	Battery voltage/nominal capacity K5	(V)/(Ah)	48/560 (2)	48/620 (2)	48/700 (3)	48/775 (3)
	6-5	Battery weight (1)	kg	939	950	1119	1165

	1-2	Manufacturer's type designation	R2.0HD				
			x (mm)				
R2.0HD	1-8	Load distance, centre of drive axle to fork	338	338	266	266	
	1-9	Wheelbase	1500	1500	1500	1500	
	2-1	Service weight	4425	4471	4617	4679	
	2-3	Axle loading, unladen front/rear (4)	2567/1858	2597/1874	2577/2040	2616/2063	
	2-4	Axle loading fork advanced, laden front/rear	891/5534	921/5550	985/5632	1024/5655	
	2-5	Axle loading fork retracted, laden front/rear	2235/4189	2266/4205	2149/4468	2189/4490	
	4-19	Overall length	l ₁ (mm)	2528	2528	2600	2600
	4-20	Length to face of forks	l ₂ (mm)	1393	1393	1465	1465
	4-28	Reach distance	l ₄ (mm)	536	536	464	464
	4-34-1	Aisle width for pallets 1000mm x 1200mm crossways (5)	A ₃₁ (mm)	2860	2860	2915	2915
	4-34-2	Aisle width for pallets 800mm x 1200mm lengthwise (5)	A ₃₂ (mm)	2917	2917	2983	2983
	4-35	Turning radius	W ₁ (mm)	1767	1767	1767	1767
	6-3	Battery according to DIN 43531/35/36 A,B,C, no		C	C "Super"	C	C "Super"
	6-4	Battery voltage/nominal capacity K5	(V)/(Ah)	48/700 (3)	48/775 (3)	48/840	48/930
	6-5	Battery weight (1)	kg	1119	1165	1306	1368

All values are nominal values and they are subject to tolerances. For further information, please contact the manufacturer. Hyster products might be subject to change without notice. Lift trucks illustrated may feature optional equipment. Values may vary with alternative configurations.

> BATTERY INFORMATION - WIDE - R1.6, R2.0, R1.6HD

	1-2	Manufacturer's type designation	R1.6						
			x (mm)	452	380	308	452	380	308
R1.6	1-8	Load distance, centre of drive axle to fork	y (mm)	1450	1450	1450	1450	1450	1450
	1-9	Wheelbase	kg	3214	3409	3571	3214	3409	3571
	2-1	Service weight	kg	2062/1172	2096/1313	2093/1478	2062/1172	2096/1313	2093/1478
	2-3	Axle loading, unladen front/rear (4)	kg	592/4242	690/4319	728/4444	592/4242	690/4319	728/4444
	2-4	Axle loading fork advanced, laden front/rear	kg	1862/2973	1816/3193	1710/3462	1862/2973	1816/3193	1710/3462
	2-5	Axle loading fork retracted, laden front/rear	l ₁ (mm)	2379	2451	2523	2379	2451	2523
	4-19	Overall length	l ₂ (mm)	1229	1301	1373	1229	1301	1373
	4-20	Length to face of forks	b ₁ /b ₂ (mm)	1465	1465	1465	1465	1465	1465
	4-21	Overall width (5)		2A	2A	2A	2A	2A	2A
	4-23	Fork carriage ISO 2328, class/type A, B	b ₃ (mm)	900	900	900	900	900	900
	4-24	Fork-carriage width	b ₅ (mm)	260/884	260/884	260/884	260/884	260/884	260/884
	4-25	Distance between fork-arms MIN/MAX (6)	b ₄ (mm)	1095	1095	1095	1095	1095	1095
	4-26	Distance between wheel arms/loading surfaces	l ₄ (mm)	635	563	491	635	563	491
	4-28	Reach distance	A ₂₁ (mm)	2731	2781	2834	2731	2781	2834
	4-34-1	Aisle width for pallets 1000mm x 1200mm crossways (5)	A ₂₂ (mm)	2766	2830	2896	2766	2830	2896
	4-34-2	Aisle width for pallets 800mm x 1200mm lengthwise (5)	W ₃ (mm)	1720	1720	1720	1720	1720	1720
	4-35	Turning radius		C	C	C	C "Super"	C "Super"	C "Super"
	6-3	Battery according to DIN 43531/35/36 A,B,C, no	(V)/(Ah)	48/420	48/560 (2)	48/700 (3)	48/465	48/620 (2)	48/775 (3)
	6-4	Battery voltage/nominal capacity K5	kg	750	939	1119	750	950	1165
	6-5	Battery weight (1)							

	1-2	Manufacturer's type designation	R2.0				
			x (mm)	415	343	415	343
R2.0	1-8	Load distance, centre of drive axle to fork	y (mm)	1500	1500	1500	1500
	1-9	Wheelbase	kg	3715	3878	3715	3878
	2-1	Service weight	kg	2329/1386	2327/1551	2329/1386	2327/1551
	2-3	Axle loading, unladen front/rear (4)	kg	672/5043	707/5171	672/5043	707/5171
	2-4	Axle loading fork advanced, laden front/rear	kg	2054/3661	1927/3951	2054/3661	1927/3951
	2-5	Axle loading fork retracted, laden front/rear	l ₁ (mm)	2451	2523	2451	2523
	4-19	Overall length	l ₂ (mm)	1316	1388	1316	1388
	4-20	Length to face of forks	b ₁ /b ₂ (mm)	1465	1465	1465	1465
	4-21	Overall width (5)		2A	2A	2A	2A
	4-23	Fork carriage ISO 2328, class/type A, B	b ₃ (mm)	900	900	900	900
	4-24	Fork-carriage width	b ₅ (mm)	260/884	260/884	260/884	260/884
	4-25	Distance between fork-arms MIN/MAX (6)	b ₄ (mm)	1095	1095	1095	1095
	4-26	Distance between wheel arms/loading surfaces	l ₄ (mm)	613	541	613	541
	4-28	Reach distance	A ₂₁ (mm)	2806	2858	2806	2858
	4-34-1	Aisle width for pallets 1000mm x 1200mm crossways (5)	A ₂₂ (mm)	2849	2914	2849	2914
	4-34-2	Aisle width for pallets 800mm x 1200mm lengthwise (5)	W ₃ (mm)	1768	1768	1768	1768
	4-35	Turning radius		C	C	C "Super"	C "Super"
	6-3	Battery according to DIN 43531/35/36 A,B,C, no	(V)/(Ah)	48/560 (2)	48/700 (3)	48/620 (2)	48/775 (3)
	6-4	Battery voltage/nominal capacity K5	kg	939	1119	950	1165
	6-5	Battery weight (1)					

	1-2	Manufacturer's type designation	R1.6HD				
			x (mm)	308	293	308	293
R1.6HD	1-8	Load distance, centre of drive axle to fork	y (mm)	1450	1450	1450	1450
	1-9	Wheelbase	kg	4141	4304	4141	4304
	2-1	Service weight	kg	2502/1639	2468/1836	2502/1639	2468/1836
	2-3	Axle loading, unladen front/rear (4)	kg	1172/4568	929/4974	1172/4568	929/4974
	2-4	Axle loading fork advanced, laden front/rear	kg	2215/3525	2077/3826	2215/3525	2077/3826
	2-5	Axle loading fork retracted, laden front/rear	l ₁ (mm)	2523	2523	2523	2523
	4-19	Overall length	l ₂ (mm)	1373	1388	1373	1388
	4-20	Length to face of forks	b ₁ /b ₂ (mm)	1465	1465	1465	1465
	4-21	Overall width (5)		2A	2A	2A	2A
	4-23	Fork carriage ISO 2328, class/type A, B	b ₃ (mm)	900	900	900	900
	4-24	Fork-carriage width	b ₅ (mm)	260/884	260/884	260/884	260/884
	4-25	Distance between fork-arms MIN/MAX (6)	b ₄ (mm)	1095	1095	1095	1095
	4-26	Distance between wheel arms/loading surfaces	l ₄ (mm)	491	491	491	491
	4-28	Reach distance	A ₂₁ (mm)	2834	2845	2834	2845
	4-34-1	Aisle width for pallets 1000mm x 1200mm crossways (5)	A ₂₂ (mm)	2896	2909	2896	2909
	4-34-2	Aisle width for pallets 800mm x 1200mm lengthwise (5)	W ₃ (mm)	1720	1720	1720	1720
	4-35	Turning radius		C	C	C "Super"	C "Super"
	6-3	Battery according to DIN 43531/35/36 A,B,C, no	(V)/(Ah)	48/560 (2)	48/700 (3)	48/620 (2)	48/775 (3)
	6-4	Battery voltage/nominal capacity K5	kg	939	1119	950	1165
	6-5	Battery weight (1)					

All values are nominal values and they are subject to tolerances. For further information, please contact the manufacturer. Hyster products might be subject to change without notice. Lift trucks illustrated may feature optional equipment. Values may vary with alternative configurations.

BATTERY INFORMATION - EXTRA WIDE - R1.6, R2.0, R1.6HD



	1-2	Manufacturer's type designation	R1.6						
			x (mm)	452	380	308	452	380	308
R1.6	1-8	Load distance, centre of drive axle to fork	y (mm)	1450	1450	1450	1450	1450	1450
	1-9	Wheelbase	kg	3331	3506	3661	3331	3506	3661
	2-1	Service weight	kg	2127/1204	2158/1348	2138/1523	2127/1204	2158/1348	2138/1523
	2-3	Axle loading, unladen front/rear (4)	kg	630/4301	728/4378	740/4522	630/4301	728/4378	740/4522
	2-4	Axle loading fork advanced, laden front/rear	kg	1920/3011	1872/3234	1738/3523	1920/3011	1872/3234	1738/3523
	2-5	Axle loading fork retracted, laden front/rear	l ₁ (mm)	2379	2451	2523	2379	2451	2523
	4-19	Overall length	l ₂ (mm)	1229	1301	1373	1229	1301	1373
	4-20	Length to face of forks	b ₁ /b ₂ (mm)	1665	1665	1665	1665	1665	1665
	4-21	Overall width (5)		2A	2A	2A	2A	2A	2A
	4-23	Fork carriage ISO 2328, class/type A, B	b ₃ (mm)	1100	1100	1100	1100	1100	1100
	4-24	Fork-carriage width	b ₅ (mm)	260/1078	260/1078	260/1078	260/1078	260/1078	260/1078
	4-25	Distance between fork-arms MIN/MAX (6)	b ₄ (mm)	1295	1295	1295	1295	1295	1295
	4-26	Distance between wheel arms/loading surfaces	l ₄ (mm)	635	563	491	635	563	491
	4-28	Reach distance	A ₃₁ (mm)	2780	2830	2883	2780	2830	2883
	4-34-1	Aisle width for pallets 1000mm x 1200mm crossways (5)	A ₃₂ (mm)	2815	2879	2945	2815	2879	2945
	4-34-2	Aisle width for pallets 800mm x 1200mm lengthwise (5)	W ₃ (mm)	1767	1767	1767	1767	1767	1767
	4-35	Turning radius		C	C	C	C "Super"	C "Super"	C "Super"
	6-3	Battery according to DIN 43531/35/36 A,B,C, no	(V)/(Ah)	48/420	48/560 (2)	48/700 (3)	48/465	48/620 (2)	48/775 (3)
	6-4	Battery voltage/nominal capacity K5	kg	750	939	1119	750	950	1165
	6-5	Battery weight (1)							

	1-2	Manufacturer's type designation	R2.0				
			x (mm)	415	343	415	343
R2.0	1-8	Load distance, centre of drive axle to fork	y (mm)	1500	1500	1500	1500
	1-9	Wheelbase	kg	4041	4195	4041	4195
	2-1	Service weight	kg	2573/1468	2553/1643	2573/1468	2553/1643
	2-3	Axle loading, unladen front/rear (4)	kg	890/5152	895/5300	890/5152	895/5300
	2-4	Axle loading fork advanced, laden front/rear	kg	2293/3748	2134/4062	2293/3748	2134/4062
	2-5	Axle loading fork retracted, laden front/rear	l ₁ (mm)	2451	2523	2451	2523
	4-19	Overall length	l ₂ (mm)	1316	1388	1316	1388
	4-20	Length to face of forks	b ₁ /b ₂ (mm)	1665	1665	1665	1665
	4-21	Overall width (5)		2A	2A	2A	2A
	4-23	Fork carriage ISO 2328, class/type A, B	b ₃ (mm)	1100	1100	1100	1100
	4-24	Fork-carriage width	b ₅ (mm)	260/1078	260/1078	260/1078	260/1078
	4-25	Distance between fork-arms MIN/MAX (6)	b ₄ (mm)	1295	1295	1295	1295
	4-26	Distance between wheel arms/loading surfaces	l ₄ (mm)	613	541	613	541
	4-28	Reach distance	A ₃₁ (mm)	2850	2902	2850	2902
	4-34-1	Aisle width for pallets 1000mm x 1200mm crossways (5)	A ₃₂ (mm)	2893	2958	2893	2958
	4-34-2	Aisle width for pallets 800mm x 1200mm lengthwise (5)	W ₃ (mm)	1812	1812	1812	1812
	4-35	Turning radius		C	C	C "Super"	C "Super"
	6-3	Battery according to DIN 43531/35/36 A,B,C, no	(V)/(Ah)	48/560 (2)	48/700 (3)	48/620 (2)	48/775 (3)
	6-4	Battery voltage/nominal capacity K5	kg	939	1119	950	1165
	6-5	Battery weight (1)					

	1-2	Manufacturer's type designation	R1.6HD				
			x (mm)	308	293	308	293
R1.6HD	1-8	Load distance, centre of drive axle to fork	y (mm)	1450	1450	1450	1450
	1-9	Wheelbase	kg	4404	4559	4404	4559
	2-1	Service weight	kg	2696/1708	2640/1918	2696/1708	2640/1918
	2-3	Axle loading, unladen front/rear (4)	kg	1345/4659	1068/5090	1345/4659	1068/5090
	2-4	Axle loading fork advanced, laden front/rear	kg	2404/3600	2234/3924	2404/3600	2234/3924
	2-5	Axle loading fork retracted, laden front/rear	l ₁ (mm)	2523	2523	2523	2523
	4-19	Overall length	l ₂ (mm)	1373	1388	1373	1388
	4-20	Length to face of forks	b ₁ /b ₂ (mm)	1665	1665	1665	1665
	4-21	Overall width (5)		2A	2A	2A	2A
	4-23	Fork carriage ISO 2328, class/type A, B	b ₃ (mm)	1100	1100	1100	1100
	4-24	Fork-carriage width	b ₅ (mm)	260/1078	260/1078	260/1078	260/1078
	4-25	Distance between fork-arms MIN/MAX (6)	b ₄ (mm)	1295	1295	1295	1295
	4-26	Distance between wheel arms/loading surfaces	l ₄ (mm)	491	491	491	491
	4-28	Reach distance	A ₃₁ (mm)	2883	2894	2883	2894
	4-34-1	Aisle width for pallets 1000mm x 1200mm crossways (5)	A ₃₂ (mm)	2945	2958	2945	2958
	4-34-2	Aisle width for pallets 800mm x 1200mm lengthwise (5)	W ₃ (mm)	1767	1767	1767	1767
	4-35	Turning radius		C	C	C "Super"	C "Super"
	6-3	Battery according to DIN 43531/35/36 A,B,C, no	(V)/(Ah)	48/560 (2)	48/700 (3)	48/620 (2)	48/775 (3)
	6-4	Battery voltage/nominal capacity K5	kg	939	1119	950	1165
	6-5	Battery weight (1)					

All values are nominal values and they are subject to tolerances. For further information, please contact the manufacturer. Hyster products might be subject to change without notice. Lift trucks illustrated may feature optional equipment. Values may vary with alternative configurations.

> **PRODUCT FEATURES**

The new tough Hyster® Reach Truck is designed for efficiency for operations at greater heights, with excellent stability, visibility, manoeuvrability and control. The all-new Reach Truck is built with the quality hallmarks of Hyster: tough, intelligent, dependable and efficient.

DEPENDABILITY

- New reach truck feature modular three piece design of frame, operator compartment and overhead guard.
- Completely welded stiff and strong base frame is available in 2 basic widths and 4 different lengths to match demanding applications requirements.
- The operator compartment is a one piece welded structure developed for long term durability.
- The new overhead guard design with oval shape pillar and a round inwards bended tube for standard truck models provides excellent visibility.
- New mast incorporates new unique Hyster designed profiles that reduce the total mast channel width.
- Dual CANbus technology reduces wiring complexity for increased reliability.
- Parts communality with other counterbalance trucks, with proven reliability and durability.
- Top and partially front protected load wheels with optional load wheel side cover reduce damage to the load wheel and increase the lifetime of Reach Truck.

PRODUCTIVITY

- The new, improved Hyster traction motor gives powerful acceleration and an increased travel speed of up to 14km/h and the new mast deliver 0.8 metres per second lift speed up to 12.75 metres.
- Three different steering modes: 180 degree steering as standard and 360 degree steering as option with 180/360 degree steering switch option by push of the button.

- Comprehensive mast selection allows truck to be configured to the needs of the application.
- Full AC infrastructure on drive, traction and hydraulic motors allows seamless changes in direction of travel, increasing cycle speeds and the control of pallet handling operations.
- Adjustable speed reduction on cornering feature provides smooth load handling and precise direction control.
- TouchPoint™ mini lever module or new design Joystick with industry first fingertip mini joystick control for all hand controlled main hydraulic functions within hand reach position.
- Two different Drive-In overhead guard options with choice of standard or narrow chassis to specifically match the requirements of “Drive-in” applications and provide excellent manoeuvrability.
- ECO-eLo and HiP performance modes for application matching configurations.

ERGONOMICS

- New operator compartment layout is optimised on ergonomics and operator space. The industry lowest 371mm step height provides improved ingress/ egress with 3 point contact.
- New pedal layout increases useful operator floor space with low resistance foot pedals positioned on slightly angled floor plate for most ergonomic foot position.
- The operator presence switch is slightly rotated to the mid line off the operator seat to improve operator left foot position.
- Two different seats Grammar MSG 20 and MSG 65 with additional options delivers even greater operator comfort.
- Additional lumbar support and the fully adjustable backrest angle (with a setting range from 5° to 30°) ensure optimum driver comfort throughout the shift.
- The steering column is adjustable in length in 10 positions for best ergonomic steering wheel position.

- In length adjustable right armrest to allow for best ergonomic hand control with integrated TouchPoint™ mini lever module or new designed Joystick with integrated mini lever joystick for all hand controlled main hydraulic functions within hand reach position.
- In front of operator positioned display to allow for easy reading without disturbing visibility.
- Several in dashboard integrated storage possibility, optional universal support bracket and clipboard provision.
- The drive wheel automatically moves to centre position when truck is switched on.
- New Mast with optimised lift cylinders position for increased visibility incorporates new unique profiles that reduce the total mast channel width.

LOW COST OF OWNERSHIP

- The new Hyster 6.4 kW traction motor gives powerful acceleration and an increased travel for superior performance and increased loads moves per hour.
- The ECO-eLo mode reduces the acceleration speed promoting efficient energy consumption difference of 5%.
- Regenerative braking dissipates the generated heat in the motor increasing the braking effect and reducing maintenance cost.
- Trucks are rated to IP65 standard, for protection against dust and water ingress.
- High level of parts communality with other Hyster products with proven reliability and durability for ease of maintenance

SERVICEABILITY

- Standard display provides most critical status of components and error codes. Industry first Reach Truck touch screen display offering regular software upgrades.
- Hinge door in the front of the truck provide full access to the motors, hydraulics and compartment for easy service and maintenance of all components.
- VCM (Vehicle Control Manager) and Dual CANbus technology facilitates identification of failures of components and wire harness.
- AC technology minimises the dependence on mechanical parts. This leads to a reduction in service costs over the lifetime of the truck
- 100% leak free quick (dis)connect hydraulic couplings to prevent any spillage when disconnecting for maintenance.
- Service interval for hydraulic oil and filter - 3000h, transmission oil change - 1000 h.
- Standard warranty – 24 month (4000 hours), extended warranty – 36 month (6000 hours).

STRONG PARTNERS. TOUGH TRUCKS.™

FOR DEMANDING OPERATIONS, EVERYWHERE.

Hyster supplies a complete range of warehouse equipment, IC and electric counterbalanced trucks, container handlers and reach stackers. Hyster is committed to being much more than a lift truck supplier.

Our aim is to offer a complete partnership capable of responding to the full spectrum of material handling issues: Whether you need professional consultancy on your fleet management, fully qualified service support, or reliable parts supply, you can depend on Hyster.

Our network of highly trained dealers provides expert, responsive local support. They can offer cost-effective finance packages and introduce effectively managed maintenance programmes to ensure that you get the best possible value. Our business is dealing with your material handling needs so you can focus on the success of your business today and in the future.



HYSTER EUROPE

Centennial House, Frimley Business Park, Frimley, Surrey, GU16 7SG, England.

Tel: +44 (0) 1276 538500, Fax: +44 (0) 1276 538559



www.hyster.eu



infoeurope@hyster.com



[/HysterEurope](https://www.facebook.com/HysterEurope)




[@HysterEurope](https://twitter.com/HysterEurope)



[/HysterEurope](https://www.youtube.com/HysterEurope)

HYSTER-YALE UK LIMITED trading as Hyster Europe. Registered Address: Centennial House, Building 4.5, Frimley Business Park, Frimley, Surrey GU16 7SG, United Kingdom.

Registered in England and Wales. Company Registration Number: 02636775.

©2021 HYSTER-YALE UK LIMITED, all rights reserved. HYSTER,  STRONG PARTNERS. TOUGH TRUCKS. are trademarks of HYSTER-YALE Group, Inc.

Hyster products are subject to change without notice. Forklift trucks illustrated may feature optional equipment.